

Micrometer

The origin of Mitutoyo's trustworthy brand of small tool instruments

Digit Outside Micrometers SERIES 193

- Mechanical digit counter with 0.01 mm or 0.001 in resolution for quick and error-free reading.
- Measuring faces: Carbide.
- Equipped with Ratchet Stop for constant measuring force.

Technical Data

- Counter Reading: 0.01 mm or 0.001 in
- Parallelism:
Measuring range 0 to 75: 2 μ m
Measuring range 75 to 100: 3 μ m
- Standard accessories: Reference bar, 1 pc.
(except for measuring range 0 to 25 mm (0 to 1 in) models)
Spanner (301336), 1 pc.

SPECIFICATIONS

Metric With ratchet stop				
Order No.	Range (mm)	Graduation (mm)	Maximum permissible error J_{MPE} (μ m)	Flatness (μ m)
193-111	0 - 25	0.001 (reading is obtained with vernier)	2	0.6
193-112	25 - 50			
193-113	50 - 75			
193-114	75 - 100			
193-101	0 - 25	0.01	2	0.6
193-102	25 - 50			
193-103	50 - 75			
193-104	75 - 100			

Inch With friction thimble				
Order No.	Range (in)	Graduation (in)	Maximum permissible error J_{MPE} (in)	Flatness (in)
193-211	0 - 1	0.0001	0.0001	0.000024
193-212	1 - 2			

Inch With ratchet stop				
Order No.	Range (in)	Graduation (in)	Maximum permissible error J_{MPE} (in)	Flatness (in)
193-213	2 - 3	0.0001	0.0001	0.000024
193-214	3 - 4		0.00015	

Metric Micrometer set			
Order No.	Range (mm)	Models included	Flatness (μ m)
193-901	0 - 75 (3 pcs./set)	• 193-101, 193-102, 193-103 • 2 micrometer standards	0.6
193-902	0 - 100 (4 pcs./set)	• 193-101, 193-102, 193-103, 193-104 • 3 micrometer standards	

Inch Micrometer set			
Order No.	Range (in)	Models included	Flatness (in)
193-923	0 - 3 (3 pcs./set)	• 193-211, 193-212, 193-213 • 2 micrometer standards	0.000024



193-101

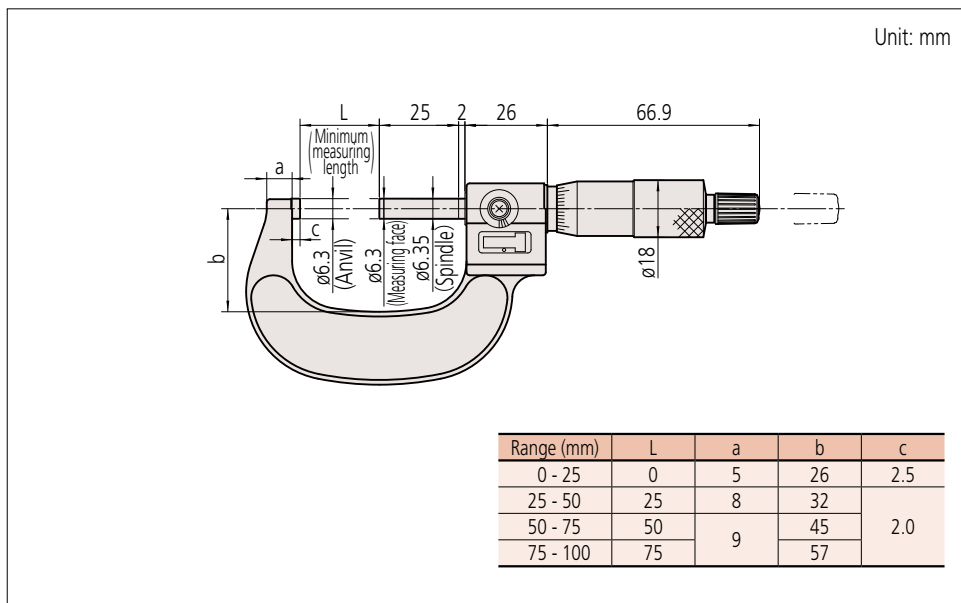


193-111



193-112

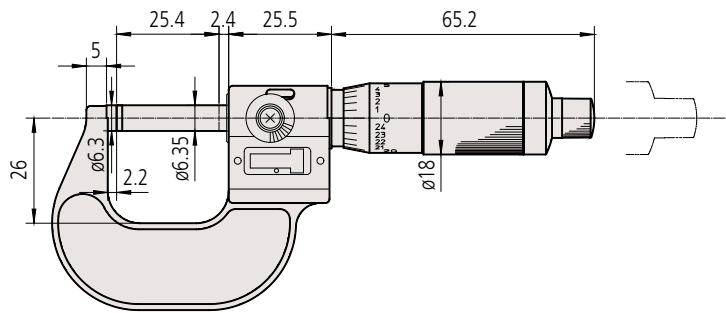
DIMENSIONS



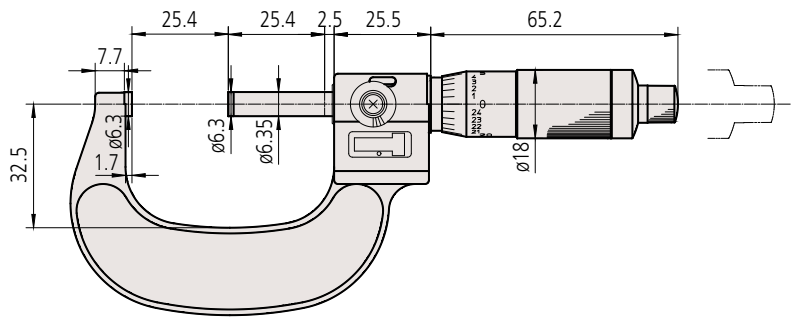
DIMENSIONS

Unit: mm

193-211



193-212



B